

RivTest

Test Bench for Blind Riveting Tools



HERMES TOOLS

Premium Power Tools



MADE IN GERMANY



HS-Technik GmbH
High - System - Technik

Test bench with calibrated stroke and force sensors

- **Testing of blind riveting tools**

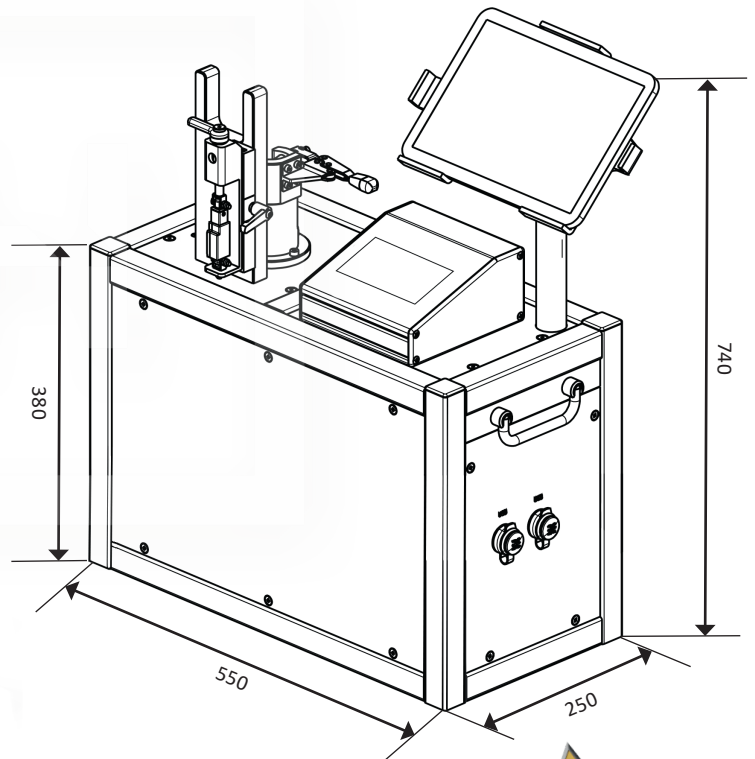
Currently supported tools: NutBee & RivBee
Other brands/types on request

- **Machine Capability Testing (MCT)**

incl. evaluation and certificate template following the VDI guideline 2645 sheet 2 for tightening technology

- **To evaluate the accuracy of the tool**

- **Software for visualisation, evaluation and further processing of the measured data**



New and innovative riveting test bench!

Enables countermeasurement and evaluation of blind riveting tools



With the new riveting test bench from HS-Technik it is possible to perform a traceable and documented countermeasurement of blind riveting tools, following the VDI guideline 2645 sheet 2 (tightening technology). Due to the similar physical principles between the tightening and riveting tools, we used the guideline for tightening technology as orientation in terms of test points, testing period, scope of measurement series, statistical evaluations and requirements. With the support of the calibrated test bench it is possible to determine and document the accuracy of the tool and therefore to obtain approval for safety relevant and function critical components.

The test bench includes the following components:

- Force- and stroke sensor
- 1 Windows tablet to operate the software
- Power cable
- HST-6250 - USB adapter
- Setting for automatic tool start
(Timer and counting function)
- Adapter set for RivBee & NutBee*

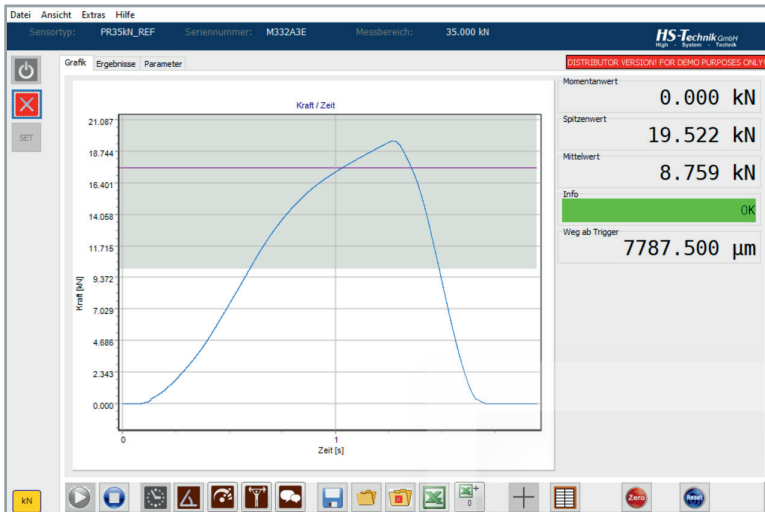
* Adapters for other tool types on request. Blind riveting tools from other manufacturers must be tested for adaptability.

Technical data	
Dimensions B × H × T	550 × 740 × 250 mm
Weight	approx. 18 kg
Testing force	max. 35kN
Stroke measurement	max. 25mm
Software	1 License HST-Tool-Manager 1 License HST-Torq-Analyzer
Electrical connections	1× Device plug with mains filter 3× USB 1× USB (Connection tool with RivTest) 2× USB (free) 1× Ethernet (Connection to Sensor Interface) 1× IO/PWR (Connection to IO Adapter, RoboRiv)

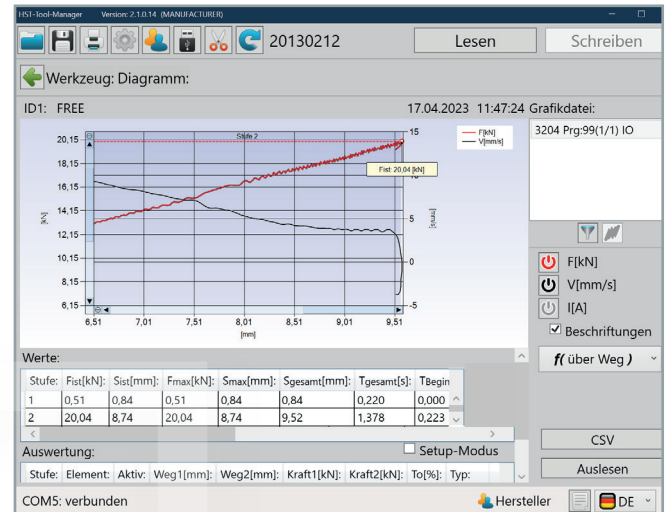
Machine Capability Testing

- Measuring amplifiers and transducers for the physical measurands force and stroke
- Integration into your internal company network is possible via HST-Torq-Analyzer
(Data storage in Excel format)

The provided software HST-Torq-Analyzer supports the direct connection to the HS-Technik blind riveting tools RivBee and NutBee. With the HST-Torq-Analyzer, evaluations can be displayed on the tablet included. With this software, evaluations of both measurement series (blind riveting tool and measuring transducer) are possible. Tools without data interface can also be tested. In this case, the data from the Test bench are available for evaluation.



HST-Torq-Analyzer from the (Test bench)



HST-Tool-Manager from the (tool)



HS-Technik GmbH
High - System - Technik

Im Martelacker 12
D-79588 Efringen-Kirchen
Phone: +49 (0) 76 28 - 91 11-0
Fax: +49 (0) 76 28 - 91 11-90
E-mail: info@hs-technik.com
Internet: www.hs-technik.com

© Copyright May 2023

Subject to modifications and errors. All figures are non-binding.

We reserve the right to make technical changes to our products and the range of products as a result of further development.
Reproduction and the use of texts, even excerpts of our brochures is prohibited and will be prosecuted.