

# BR12 Smart Blind Rivet Tool

## Cordless Process Monitoring Blind Riveting Tool

Battery powered tools for blind rivet fastening assembly.

### Technical Features

- Programmable cordless blind rivet setting tool rated to 8kN
- For rivets 1/8" (3,2mm) – 3/16" (4,8mm) size
- Front-end compatible with existing STANLEY blind-riveting tools
- Blind rivet reporting of setting-force and distance
- Full error proofing capabilities, rivet count, job select, preventive maintenance planning, etc.
- Visual and audible feedback for operator aids
- Optional integrated force switch function
- Same motor, transducer, gearing and PCB as our cordless threaded fastening tools
- Powered by the DeWalt 20V (18V in EU) battery platform
- Controller inside the tool
  - » Data storage of 500 fastening cycles and two traces
  - » 16 jobs / 16 tasks / 4 steps
  - » Bar code scanner option
  - » IEEE 802.15.4 wireless option
- Cordless communication via IEEE 802.11 a/b/g/n
  - » 2.4 Ghz to QBE Expert, Specialist, or Network Node controllers
  - » 5 Ghz to customer supplied remote access points
- Programming via onboard micro USB port w/Alpha Toolbox suite

### What's Included

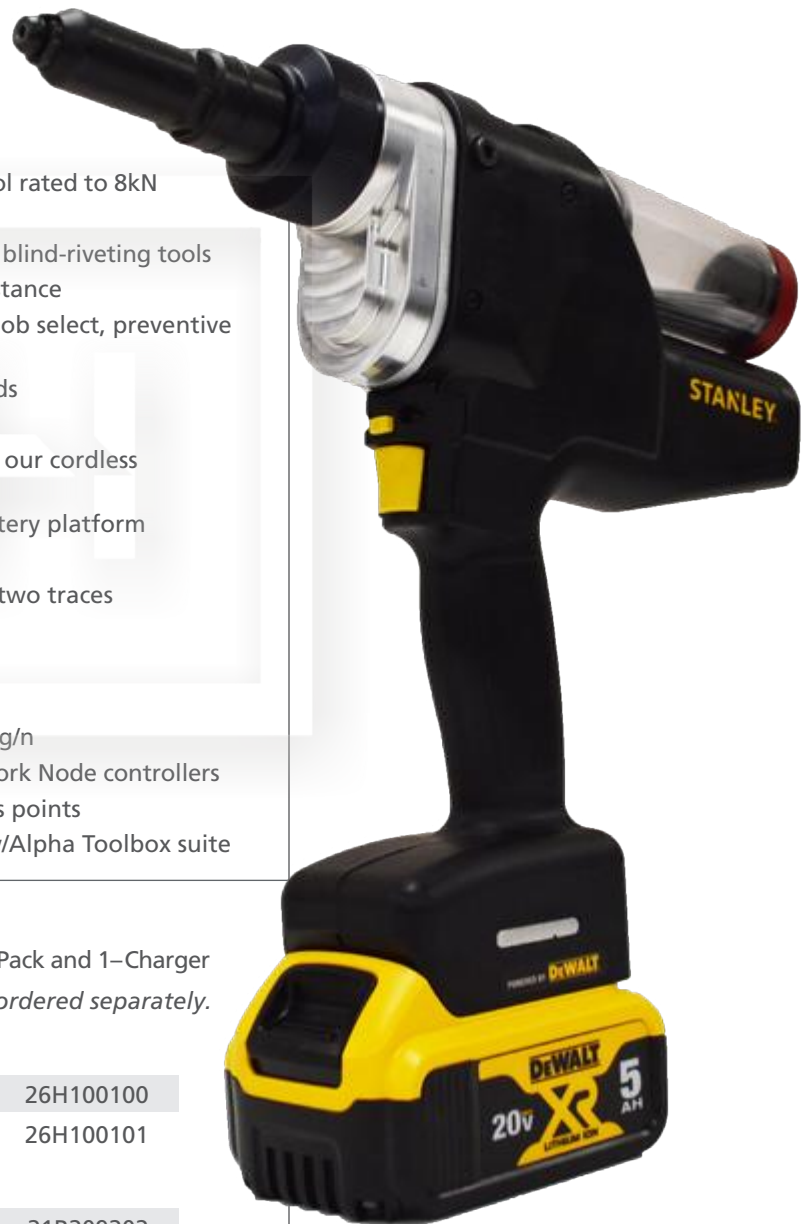
1-BR12PP-8 Tool, 1-20V (18V in EU) 5Ah Battery Pack and 1-Charger  
*Additional battery packs and chargers may be ordered separately.*

### Key Options

Barcode: BR12 Rivet Tool	26H100100
Wireless 802.15.4: BR12 Rivet Tool	26H100101

### Accessories

20V (18V in EU) 5Ah Battery Pack	21R209202
20V (18V in EU) 2Ah Battery Pack	21R209205
Charger	21R209402
Programming Cable	20C206600



## Pair with a QBE Expert Controller, QBE Specialist Controller or QBE Network Node

- Benefits enabled when using the Stanley QBE Controller:
  - » Fieldbus communication (Profibus, Profinet, Devicenet, Ethernet IP)
  - » Enables automotive error proofing standards of communication
- Protocols XML, Open Protocol, NPL, NTFC
- QBE Expert Controller — QB4101 Manages up to 24 Tools (Max of 15 Cordless Tools)
- QBE Specialist Controller — QB5300 Manages up to 24 Tools (Max of 15 Cordless Tools)
- QBE Specialist Controller — QB5100 Manages up to 24 Tools (Max of 15 Cordless Tools)
- QBE Network Node — QB0201 IEEE 802.11 Manages up to 6 Cordless Tools
- QBE Network Node — QB0301 IEEE 802.15.4 Manages 1 Cordless Tool
- Connect with Smart Phone or Tablet

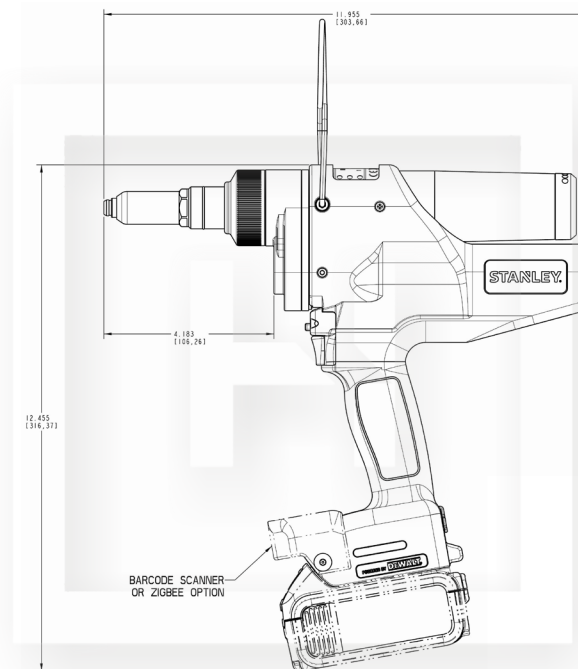


Please Note: The tool does not require a controller to operate.

MODEL	PULL FORCE		WIDTH		HEIGHT		LENGTH		WEIGHT WITHOUT BATTERY		WEIGHT W/ 20V (18V IN EU) BATTERY	
	KN	MM	IN	MM	IN	MM	IN	KG	LB	KG	LB	
<b>BR12PP-8</b>	8	52.2	2.06	316.4	12.46	303.7	11.96	1.75	3.85	2.36	5.20	

Note: 20V (18V in EU) 2Ah Battery Pack Weight — 0.9 LB / 0.41 KG

### Technical Details



**STANLEY**  
Engineered Fastening

Stanley Engineered Fastening — a division of Stanley Black and Decker — is the global leader in precision fastening and assembly solutions. Our industry-leading brands, Avdel®, Integra™, Nelson®, Optia™, POP®, STANLEY® Assembly Technologies, and Tucker®, elevate what our customers create. Backed by a team of passionate and responsive problem-solvers, we empower engineers who are changing the world.

STANLEY ENGINEERED FASTENING FAMILY OF BRANDS

AVDEL. INTEGRA™ NELSON™ OPTIA™ POP™ STANLEY Assembly Technologies TUCKER™

**HERMES**  
TOOLS

**HERMESTOOLS Sp. z o.o.**  
ul. Sarni Stok 73 a, 43-300 Bielsko-Biała, Polska; tel: +48 33 821 41 90-91  
[www.hermestools.eu](http://www.hermestools.eu)